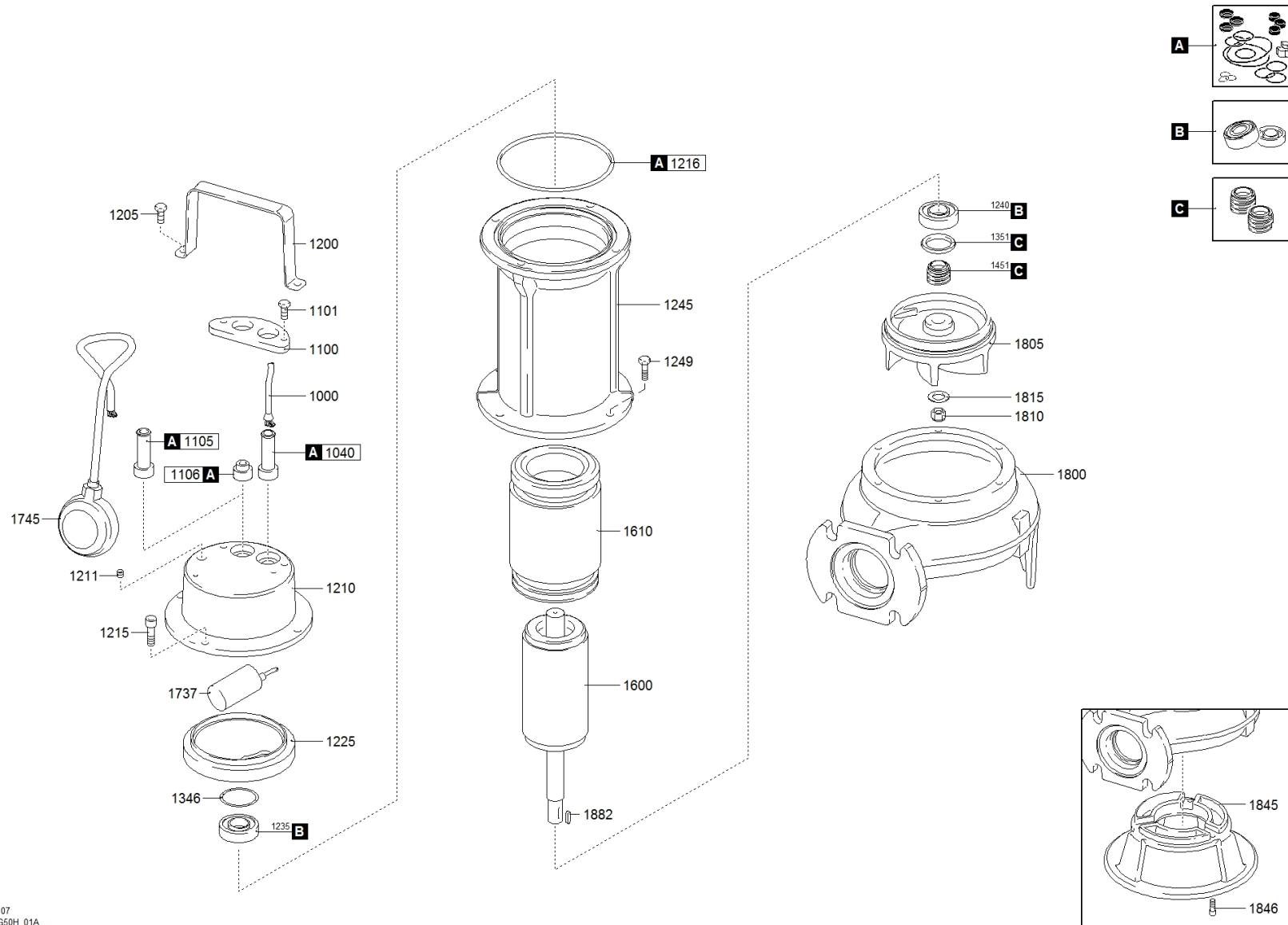


0140.014 - DGE 200/2/G50H A0CM5 NGTGQ21U23N00WH





water solutions



0140.014 - DGE 200/2/G50H A0CM5 NGTGQ21U23N00WH

		Code		Description		Q.ty	Price (€)
A		601039001		GASKETS KIT	805503	1	
C		602002031		MECHANICAL SEALS KIT	805513	1	
B		604002241		BEARINGS KIT	805514	1	
1000		250102304010200000		POWER CABLE		1	
1040		235672106900		RUBBER GASKET [POWER CABLE]	711413	1	
1100		235439006610		CABLE GLAND PLATE	806112	1	
1101		270830610121200000		SCREW [CABLE GLAND PLATE >> COVER]	802089	2	
1105		235672106900		RUBBER GASKET [FLOAT SWITCH]	711413	1	
1200		235230801680		HANDLE		1	
1210		232110311300		COVER		1	
1211		270139510104000000		CAP [TIGHTNESS TEST]	802099	1	
1215		270830610161200000		SCREW [COVER >> MOTOR CASE]		4	
1216		271770110035000000		GASKET [COVER >> MOTOR CASE]	711361	1	
1225		230650300069		UPPER BEARING HOLDER		1	
1235		2729062030200000		UPPER BEARING	711360 or 802083	1	
1240		2729062030200000		LOWER BEARING	711360 or 802083	1	
1245		231010311240		MOTOR CASE	710933	1	
1249		270830610161200000		SCREW [MOTOR CASE >> PUMP BODY]		4	
1346		27542039100000		WAVE SPRING	802283	1	
1351		237970170300700000		LOWER LIP SEAL [LOWER BEARING]		1	
1451		230000410150000000		1st MECHANICAL SEAL	711381 or 711382	1	
1600		230230012015910		SHAFT WITH ROTOR		1	
1610		230801201001000000		WOUND STATOR		1	
1650		2790300422785		DATAPLATE		1	
1655		273130000000		RIVET [DATAPLATE]	802082	2	
1737		2517024000000		CAPACITOR	710986	1	
1745		254500404100000		FLOAT SWITCH		1	
1800		21251412920123504		PUMP BODY		1	
1805		21411401000600250		IMPELLER	711356	1	
1810		27073081910100000		LOCKING IMPELLER		1	
1815		270530609202000000		LOCKING WASHER [IMPELLER]	711024 or 711047	1	
1882		270430404010100000		KEY [IMPELLER]		1	

